

**GENERAL DESCRIPTION**

This Series of fixed-voltage monolithic integrated circuit voltage regulators is designed for a wide range of applications. These applications include on-card regulation for elimination of noise and distribution problems associated with single-point regulation. In addition, they can be used with power-pass elements to make high-current voltage regulators. One of these regulators can deliver up to 100 mA of output current. The internal limiting and thermal shutdown features of these regulators make them essentially immune to overload. When used as a replacement for a zener diode-resistor combination, an effective improvement in output impedance can be obtained together with lower-bias current.

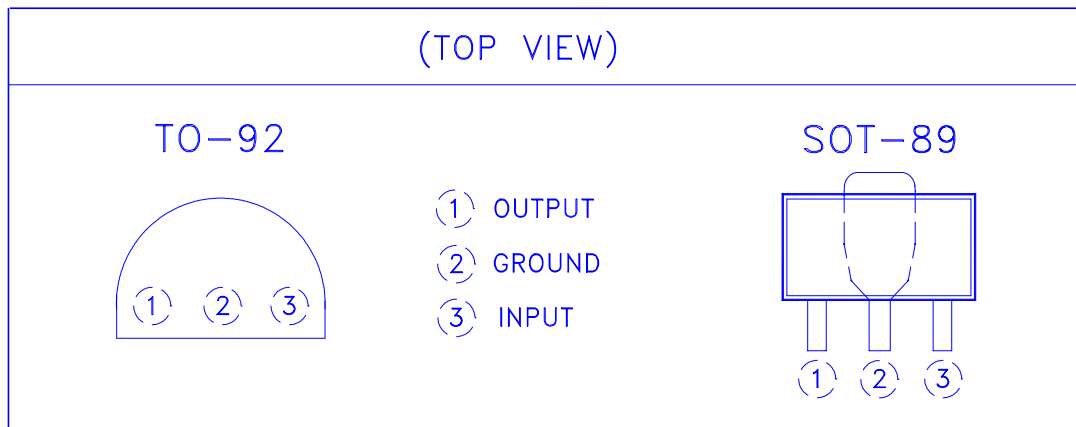
**FEATURES**

- 3-terminal regulators
- Output current up to 100 mA
- No external component
- Internal thermal overload protection
- Internal short-circuit current limiting
- Direct replacements for LM78L00,  $\mu$ A78L00 and AN78L00 series

**APPLICATIONS**

- Linear regulator
- Instrumentation
- Switching power supplies
- PCs, Industrial equipment

**PIN CONFIGURATIONS**



**DEVICE SELECTION GUIDE**

<b>Device</b>	L78L05N	L78L05C	L78L12N	L78L12C
<b>Package</b>	TO-92	SOT-89	TO-92	SOT-89
<b>Marking</b>	78L05	78L05	78L12	78L12

**ABSOLUTE MAXIMUM RATINGS**

PARAMETER	VALUE
Input Voltage - $V_I$	30V
Continuous total power dissipation	(See Note 1)
Storage Temperature Range - $T_{STG}$	-65 to +150 °C
Junction Temperature - $T_J$	125 °C
Lead Temperature (Soldering, 10 Seconds) - $T_L$	260 °C

Note1: To avoid exceeding the design maximum virtual junction temperature, three ratings should not be exceeded. Due to variations in individual device electrical characteristics and thermal resistance, the built-in thermal overload protection may be activated at power levels slightly above or below the rated dissipation.

**DISSIPATION RATING TABLE 1 – FREE-AIR TEMPERATURE**

PACKAGE	$T_A \leq 25^\circ\text{C}$ POWER RATING	DERATING FACTOR	DERATING ABOVE $T_A$	$T_A = 70^\circ\text{C}$ POWER RATING
TO-92	650 mW	6.2 mW/°C	25 °C	350 mW
SOT-89	500 mW	4.0 mW/°C	25 °C	300 mW

† The TO-92 package dissipation rating is based on thermal resistance  $\theta_{JA}$  measured in still air with the device mounted in an Augat socket. The bottom of the package is 10mm (0.375 in) above the stock.

**DISSIPATION RATING TABLE 2 – CASE TEMPERATURE**

PACKAGE	$T_A \leq 25^\circ\text{C}$ POWER RATING	DERATING FACTOR	DERATING ABOVE $T_C$	$T_C = 125^\circ\text{C}$ POWER RATING
TO-92	1600 mW	28.6 mW/°C	94 °C	713 mW
SOT-89	3125 mW	25.0 mW/°C		

**RECOMMENDED OPERATING CONDITIONS**

PARAMETER	VALUE
Input Voltage - $V_I$ L78L05 L78L12	7V to 20V 14.5V to 27V
Output Current - $I_{OUT}$	100 mA (Max)
Operating Virtual Junction Temperature - $T_J$	0 to 125 °C

**ELECTRICAL SPECIFICATIONS (L78L05)**

( $V_I = 10V$ ,  $I_O = 40\text{ mA}$ ,  $C_I = 0.33\ \mu\text{F}$ ,  $C_O = 0.1\ \mu\text{F}$ ,  $0\text{ }^\circ\text{C} < T_J < +125\text{ }^\circ\text{C}$  unless otherwise noted.)

PARAMETER	TEST CONDITIONS	MIN	TYP	MAX	UNITS
Output Voltage	$T_J = +25\text{ }^\circ\text{C}$	4.8	5.0	5.2	V
Line Regulation	$T_J = +25\text{ }^\circ\text{C}$ , $I_O = 40\text{ mA}$ $7.0V \leq V_I \leq 20V$ $8.0V \leq V_I \leq 20V$		55 45	150 100	mV
Load Regulation	$T_J = +25\text{ }^\circ\text{C}$ $1.0\text{ mA} \leq I_O \leq 100\text{ mA}$ $1.0\text{ mA} \leq I_O \leq 40\text{ mA}$		11 5.0	60 30	mV
Output Voltage	$7.0V \leq V_I \leq 20V$ , $1.0\text{ mA} \leq I_O \leq 40\text{ mA}$ $V_I = 10V$ , $1.0\text{ mA} \leq I_O \leq 70\text{ mA}$	4.75 4.75		5.25 5.25	V
Input Bias Current	$T_J = +25\text{ }^\circ\text{C}$ $T_J = +125\text{ }^\circ\text{C}$		3.8	6.0 5.5	mA
Input Bias Current Change	$8.0V \leq V_I \leq 20V$ $1.0\text{ mA} \leq I_O \leq 40\text{ mA}$			1.5 0.1	mA
Output Noise Voltage	$T_A = +25\text{ }^\circ\text{C}$ , $10\text{ Hz} \leq f \leq 100\text{ KHz}$		40		$\mu\text{V}$
Ripple Rejection	$T_J = +25\text{ }^\circ\text{C}$ , $I_O = 40\text{ mA}$ , $f = 120\text{ Hz}$ $8.0V \leq V_I \leq 18V$	41	49		nA
Dropout Voltage	$T_J = +25\text{ }^\circ\text{C}$		1.7		V

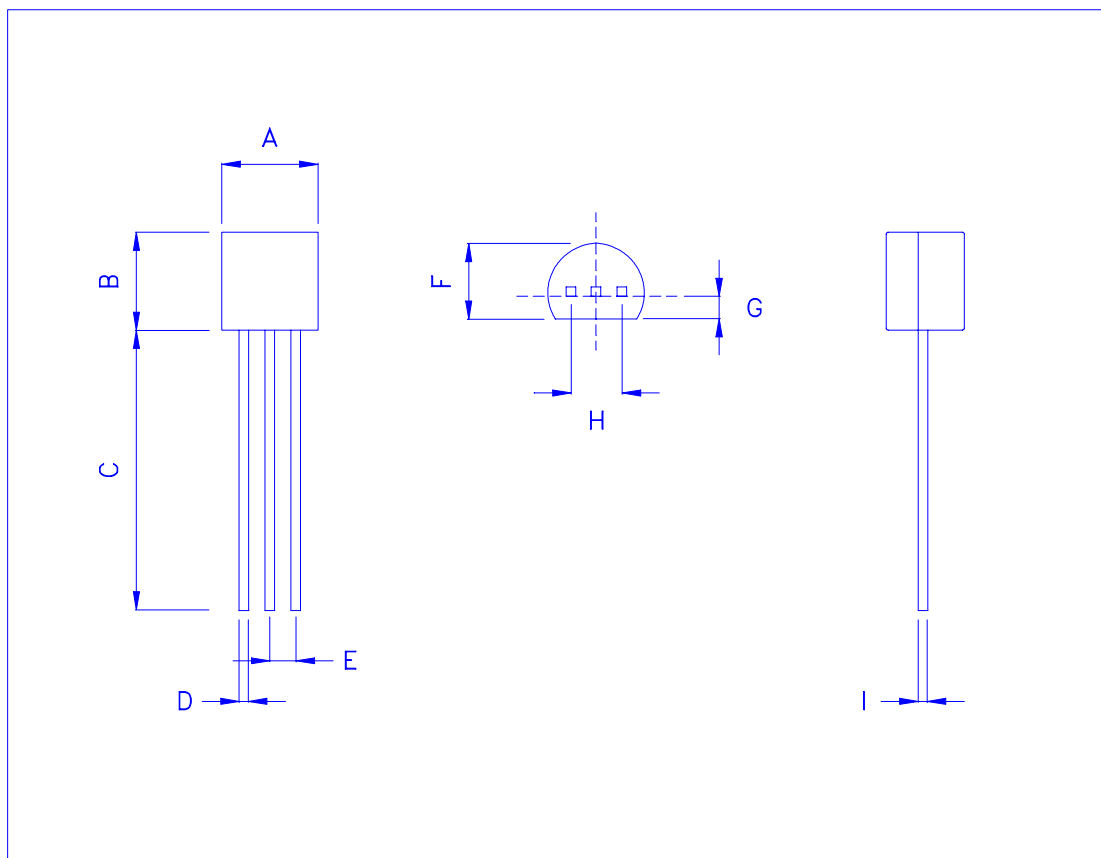
**ELECTRICAL SPECIFICATIONS (L78L12)**

( $V_I = 19V$ ,  $I_O = 40\text{ mA}$ ,  $C_I = 0.33\ \mu\text{F}$ ,  $C_O = 0.1\ \mu\text{F}$ ,  $0\text{ }^\circ\text{C} < T_J < +125\text{ }^\circ\text{C}$  unless otherwise noted.)

PARAMETER	TEST CONDITIONS	MIN	TYP	MAX	UNITS
Output Voltage	$T_J = +25\text{ }^\circ\text{C}$	11.5	12.0	12.5	V
Line Regulation	$T_J = +25\text{ }^\circ\text{C}$ , $I_O = 40\text{ mA}$ $14.5V \leq V_I \leq 27V$ $16V \leq V_I \leq 27V$		120 100	250 200	mV
Load Regulation	$T_J = +25\text{ }^\circ\text{C}$ $1.0\text{ mA} \leq I_O \leq 100\text{ mA}$ $1.0\text{ mA} \leq I_O \leq 40\text{ mA}$		20 10	100 50	mV
Output Voltage	$14.5V \leq V_I \leq 27V$ , $1.0\text{ mA} \leq I_O \leq 40\text{ mA}$ $V_I = 19V$ , $1.0\text{ mA} \leq I_O \leq 70\text{ mA}$	11.4 11.4		12.6 12.6	V
Input Bias Current	$T_J = +25\text{ }^\circ\text{C}$ $T_J = +125\text{ }^\circ\text{C}$		4.2	6.5 6.0	mA
Input Bias Current Change	$16V \leq V_I \leq 27V$ $1.0\text{ mA} \leq I_O \leq 40\text{ mA}$			1.5 0.1	mA
Output Noise Voltage	$T_A = +25\text{ }^\circ\text{C}$ , $10\text{ Hz} \leq f \leq 100\text{ KHz}$		80		$\mu\text{V}$
Ripple Rejection	$T_J = +25\text{ }^\circ\text{C}$ , $I_O = 40\text{ mA}$ , $f = 120\text{ Hz}$ $15V \leq V_I \leq 25V$	37	42		nA
Dropout Voltage	$T_J = +25\text{ }^\circ\text{C}$		1.7		V

**TO-92 MECHANICAL DATA**

Dimension	mm			Dimension	mm		
	Min.	Typ.	Max.		Min.	Typ.	Max.
A	4.445		5.207	H	2.413	2.540	2.667
B	4.318		5.334	I	0.356		0.533
C	12.7		15.5	J			
D	0.356		0.533	K			
E	1.143	1.27	1.397	L			
F	3.175		4.191	M			
G	0.762		1.270	N			



**SOT-89 MECHANICAL DATA**

Dimension	mm			Dimension	mm		
	Min.	Typ.	Max.		Min.	Typ.	Max.
A	4.3	4.5	4.7	H	1.4	1.5	1.6
B	1.6	1.7	1.8	I	2.8	3.0	3.2
C	0.4	0.5	0.6	J	1.3	1.5	1.7
D	2.4	2.5	2.6	K	3.8	4.2	4.6
E	0.8	1.2	1.4	L	0.3	0.4	0.5
F	0.4	0.45	0.5	M			
G	0.4	0.5	0.6	N			

